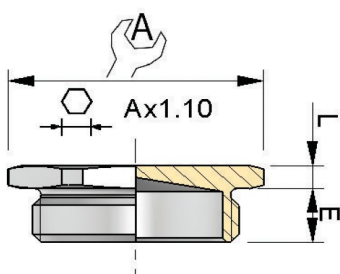


# Bouchons industriels

## Spécifications techniques

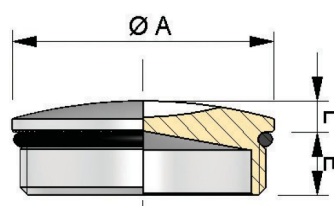
### Métalliques - filetage ISO

- Matériaux : laiton nickelé / acier inoxydable 316L sur demande
- Filetage ISO selon EN 60423
- IP66, IP68 avec joint composite ou néoprène



**Bouchon plat 6 pans**

| TAILLE | A    | L   | E    | COND. | RÉFÉRENCE |
|--------|------|-----|------|-------|-----------|
| M12    | 15,0 | 2,5 | 6,5  | 20    | CAP197124 |
| M16    | 18,0 | 2,5 | 6,5  | 20    | CAP197164 |
| M20    | 23,0 | 3,0 | 6,5  | 20    | CAP197204 |
| M25    | 28,0 | 3,0 | 7,0  | 20    | CAP197254 |
| M32    | 36,0 | 3,5 | 8,0  | 10    | CAP197324 |
| M40    | 44,0 | 4,0 | 8,0  | 1     | CAP197404 |
| M50    | 54,0 | 4,5 | 9,0  | 1     | CAP197504 |
| M63    | 67,0 | 5,5 | 10,0 | 1     | CAP197634 |

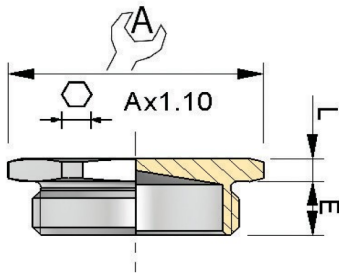


**Bouchon bombé fendu (joint torique inclus)**

| TAILLE | A    | L   | E    | COND. | RÉFÉRENCE |
|--------|------|-----|------|-------|-----------|
| M12    | 14,0 | 3,0 | 5,0  | 20    | CAP196124 |
| M16    | 18,0 | 3,0 | 6,0  | 20    | CAP196164 |
| M20    | 22,0 | 3,0 | 6,5  | 20    | CAP196204 |
| M25    | 27,0 | 4,0 | 7,0  | 20    | CAP196254 |
| M32    | 34,0 | 4,0 | 8,0  | 10    | CAP196324 |
| M40    | 44,0 | 5,0 | 8,0  | 1     | CAP196404 |
| M50    | 54,0 | 5,5 | 9,0  | 1     | CAP196504 |
| M63    | 67,0 | 6,0 | 10,0 | 1     | CAP196634 |

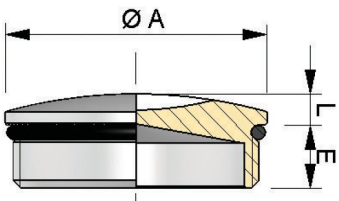
## Métalliques - filetage Pg

- Matériaux : laiton nickelé / acier inoxydable 316L sur demande
- Filetage électrique Pg – guide: UTE C 68-312 et DIN 40430
- IP66, IP68 avec joint composite ou néoprène



### Bouchon plat 6 pans

| TAILLE   | A    | L   | E    | COND. | RÉFÉRENCE |
|----------|------|-----|------|-------|-----------|
| Pg7      | 15,0 | 2,5 | 6,5  | 20    | CAP190704 |
| Pg9      | 18,0 | 2,5 | 6,5  | 20    | CAP190904 |
| Pg11     | 21,0 | 3,0 | 7,0  | 20    | CAP191104 |
| Pg13     | 23,0 | 3,0 | 7,0  | 20    | CAP191304 |
| Pg16     | 26,0 | 3,5 | 7,0  | 20    | CAP191604 |
| Pg21     | 32,0 | 4,0 | 8,0  | 20    | CAP192104 |
| Pg29     | 41,0 | 4,0 | 8,5  | 10    | CAP192904 |
| Pg36     | 51,0 | 5,0 | 8,5  | 10    | CAP193604 |
| Pg42     | 58,0 | 6,0 | 10,0 | 1     | CAP194204 |
| Pg48     | 64,0 | 6,5 | 11,0 | 1     | CAP194884 |
| N°48 NFC | 64,0 | 6,5 | 11,0 | 1     | CAP194804 |

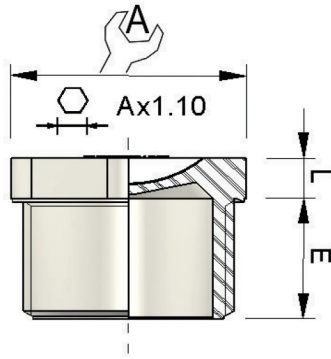


### Bouchon bombé fendu (joint torique inclus)

| TAILLE | A    | L   | E    | COND. | RÉFÉRENCE |
|--------|------|-----|------|-------|-----------|
| Pg7    | 14,0 | 2,5 | 6,5  | 20    | CAP196074 |
| Pg9    | 17,0 | 2,5 | 6,5  | 20    | CAP196094 |
| Pg11   | 20,0 | 3,0 | 7,0  | 20    | CAP196114 |
| Pg13   | 22,0 | 3,0 | 7,0  | 20    | CAP196134 |
| Pg16   | 24,0 | 3,5 | 7,0  | 20    | CAP196164 |
| Pg21   | 30,0 | 4,0 | 8,0  | 20    | CAP196214 |
| Pg29   | 39,0 | 4,0 | 8,5  | 10    | CAP196294 |
| Pg36   | 50,0 | 5,0 | 8,5  | 10    | CAP196364 |
| Pg42   | 57,0 | 6,0 | 10,0 | 1     | CAP196424 |
| Pg48   | 64,0 | 6,5 | 11,0 | 1     | CAP196484 |

## Polyamide - filetage ISO

- Matériau : polyamide 6/6, couleur gris
- Filetage ISO EN 60423
- IP66, IP68 avec joint composite ou néoprène



### Bouchon 6 pans

| TAILLE | A    | L   | E    | COND. | RÉFÉRENCE |
|--------|------|-----|------|-------|-----------|
| M12    | 15,0 | 4,0 | 15,0 | 20    | CAP190126 |
| M16    | 19,0 | 4,0 | 15,0 | 20    | CAP190166 |
| M20    | 23,0 | 4,0 | 15,0 | 20    | CAP190206 |
| M25    | 28,0 | 5,0 | 15,0 | 20    | CAP190256 |
| M32    | 36,0 | 5,5 | 15,0 | 10    | CAP190326 |
| M40    | 44,0 | 5,5 | 15,0 | 10    | CAP190406 |
| M50    | 54,0 | 6,0 | 16,0 | 1     | CAP190506 |
| M63    | 67,0 | 6,5 | 17,0 | 1     | CAP190636 |

## Polyamide Pg threads

- Matériau : polyamide 6/6, couleur gris
- Filetage électrique Pg – guide: UTE C 68-311 et DIN 40430
- IP66, IP68 avec joint composite ou néoprène

### Bouchon 6 pans

| TAILLE   | A    | L   | E    | COND. | RÉFÉRENCE |
|----------|------|-----|------|-------|-----------|
| Pg7      | 15,0 | 4,0 | 8,0  | 20    | CAP190770 |
| Pg9      | 19,0 | 4,5 | 10,0 | 20    | CAP190970 |
| Pg11     | 22,0 | 4,5 | 10,5 | 20    | CAP191170 |
| Pg13     | 24,0 | 5,0 | 11,0 | 20    | CAP191370 |
| Pg16     | 27,0 | 5,0 | 12,0 | 20    | CAP191670 |
| Pg21     | 32,0 | 5,5 | 12,5 | 20    | CAP192170 |
| Pg29     | 40,0 | 5,5 | 13,5 | 10    | CAP192970 |
| Pg36     | 54,0 | 6,0 | 15,0 | 10    | CAP193670 |
| Pg42     | 59,0 | 6,5 | 15,0 | 1     | CAP194270 |
| Pg48     | 64,0 | 6,5 | 10,0 | 1     | CAP194879 |
| N°48 NFC | 64,0 | 6,5 | 15,0 | 1     | CAP194870 |